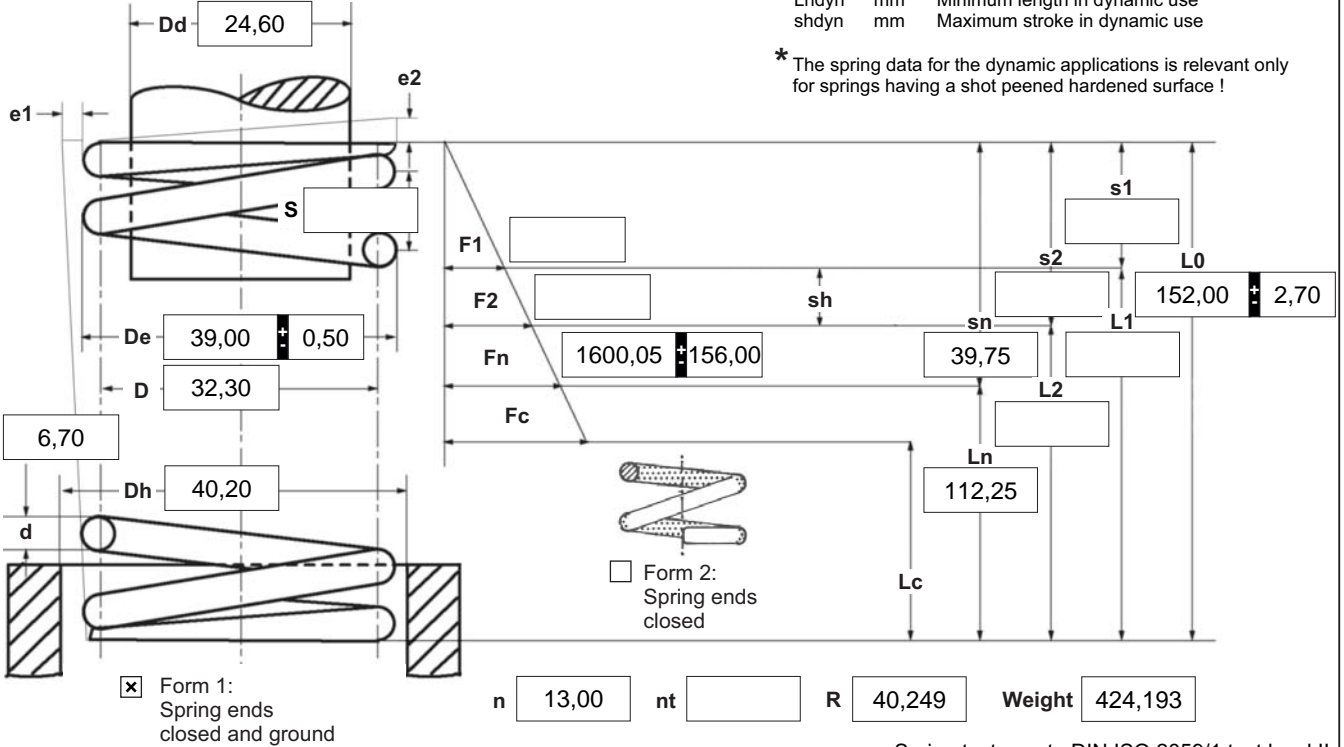


d	mm	Wire diameter	Fn	N	Maximum force in static use
D	mm	Mean coil diameter	Fc	N	Theoretic maximum force at Lc
Dd	mm	Diameter of mandrel	L0	mm	Length of unstressed spring
De	mm	Outer coil diameter	L1	mm	Prestressed spring length
Dh	mm	Diameter of bush	L2	mm	Loaded spring length
e1	mm	Perm.dev. perpendicular line	Lk	mm	Buckling length
e2	mm	Perm.dev. parallel line	Ln	mm	Minimum length in static use
F1	N	Prestressed spring force	Lc	mm	Block length
F2	N	Loaded spring force	n	pc.	Active coils

nt	pc.	Total coils
R	N/mm	Spring rate
S	mm	Pitch (distance between coils)
s1	mm	Prestressed spring deflection
s2	mm	Loaded spring deflection
sh	mm	Maximum stroke in static use
sn	mm	Maximum spring deflection in static use
Weight	g	Weight of one spring in grammes
Fndyn	N	Maximum force in dynamic force
Fndtol	N	(+/-) tolerance of maximum dynamic force
Lndyn	mm	Minimum length in dynamic use
shdyn	mm	Maximum stroke in dynamic use



Spring test acc. to DIN ISO 2859/1 test level II

1 Coiling direction



2 Dynamic load *

Fndyn	1363,64
Fndtol	152,00
Lndyn	118,12
shdyn	15,90

3 Excursion sh mm

4 Stress cyc. end. N

5 Stress cycle frequ. n /

6 Application temp. °C

Remarks

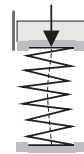
Paese d'origine: DE | Numero della tariffa doganale: 73202081

7 Guidance and seat to DIN EN 13906-1

mandrel bush

Buckling length Lk at

v=0,5 / Bild 5 mm



8 Material

1.4310

9 Wire or rod surface

drawn rolled metal-cut

10 Springs deburred inside outside

11 Surface treatment shot peened

12 Tolerances to DIN EN 15800

Grade	De,Di,D	L0	F1,F2	e1,e2	Wire diameter d to DIN 2076
1	<input type="checkbox"/>	<input type="checkbox"/>	<input type="checkbox"/>	<input type="checkbox"/>	
2	<input checked="" type="checkbox"/>	<input checked="" type="checkbox"/>	<input checked="" type="checkbox"/>	<input checked="" type="checkbox"/>	
3	<input type="checkbox"/>	<input type="checkbox"/>	<input type="checkbox"/>	<input type="checkbox"/>	<input checked="" type="checkbox"/>

13 Prouction compensation through

A spring resistance and associated length of tensed spring	L0	<input type="checkbox"/>
A spring resistance, associated length of tensed spring and L0	n, d	<input checked="" type="checkbox"/>
	n, De, Di	<input type="checkbox"/>
Two spring resistances and associated lengths of tensed spring	L0, n, d	<input type="checkbox"/>
	L0,n,De,Di	<input type="checkbox"/>

14 Setting springs

All springs which show setting tendency because of their size are pre-set within the production process.

Prices

Quantità progressive	Prezzo singolo [EUR]
1	16,3800 €
2	13,0500 €
3	9,0700 €
7	7,2200 €
17	5,7200 €
37	4,9500 €
75	4,9100 €
125	4,9100 €
175	4,9100 €
250	4,9100 €
350	4,9100 €